

Recoverable, metal microdrive

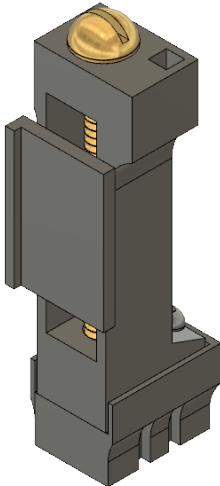
Design name: metal_v10

Travel distance: 5.7 mm

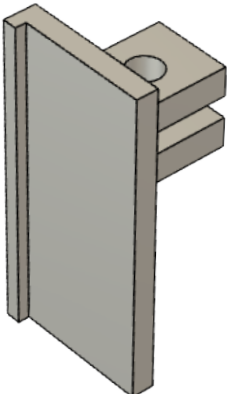
Shell base: 3.6 x 4.7 mm (WxL)

More information is needed:

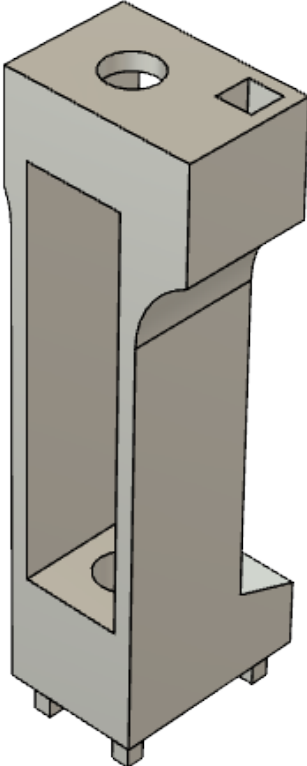
- contact me (Misi Voroslakos) directly at voroslakos@gmail.com



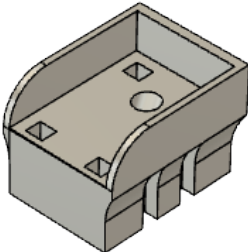
arm/shuttle



drive body



base



00-90 screw
1/2"

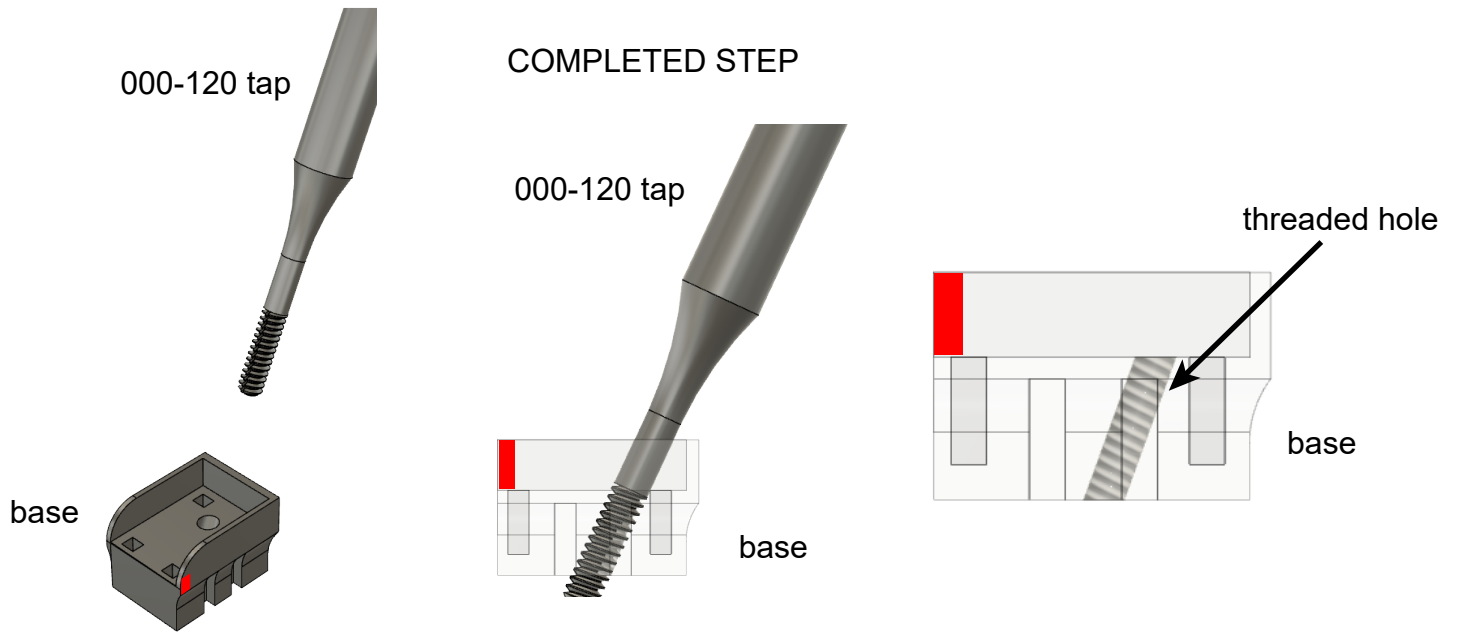


000-120 screw
1/8"

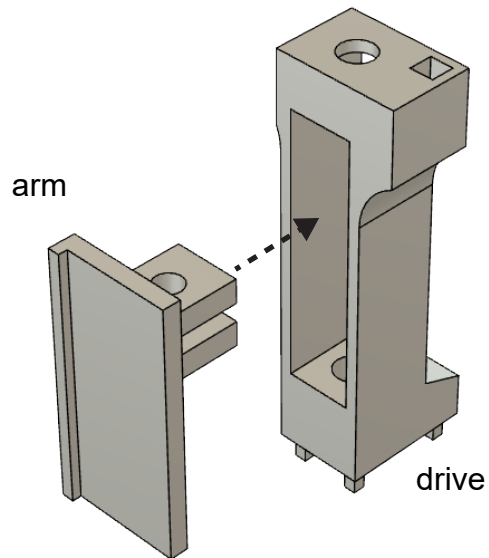


metal bar

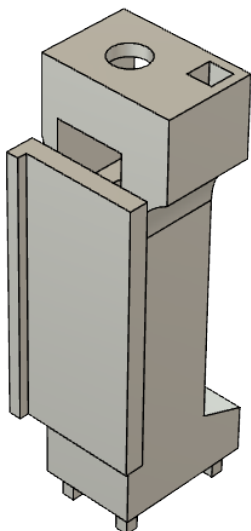
1. Tap base (000-120 tap).



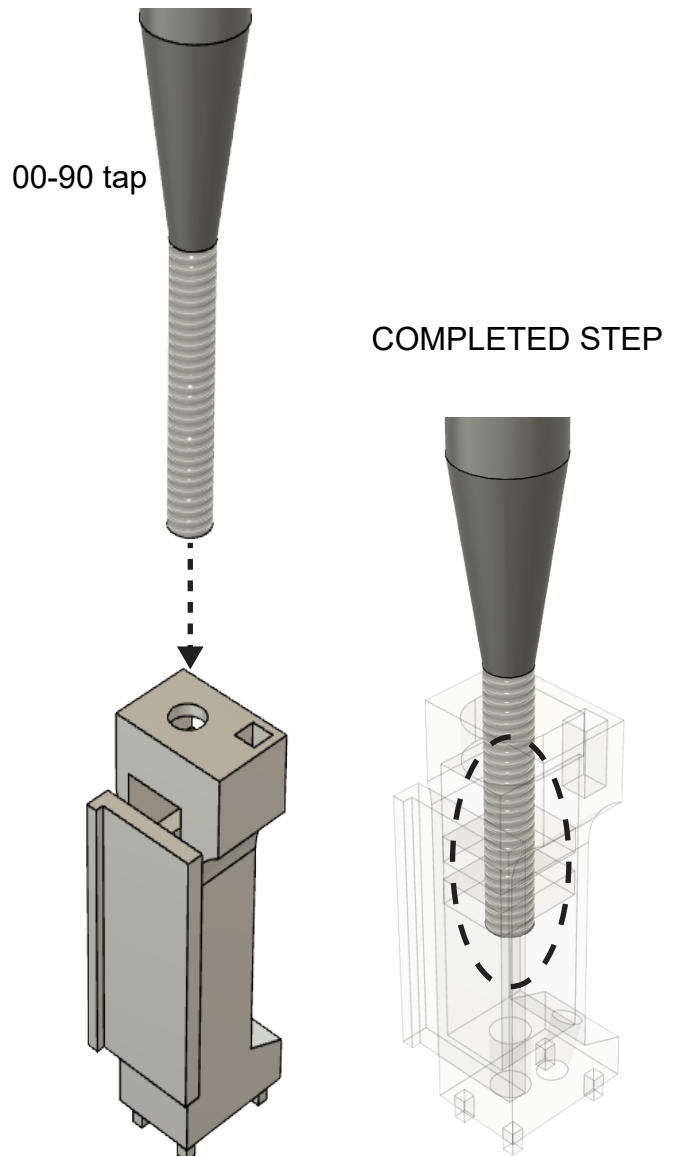
2. Insert arm into drive.



COMPLETED STEP

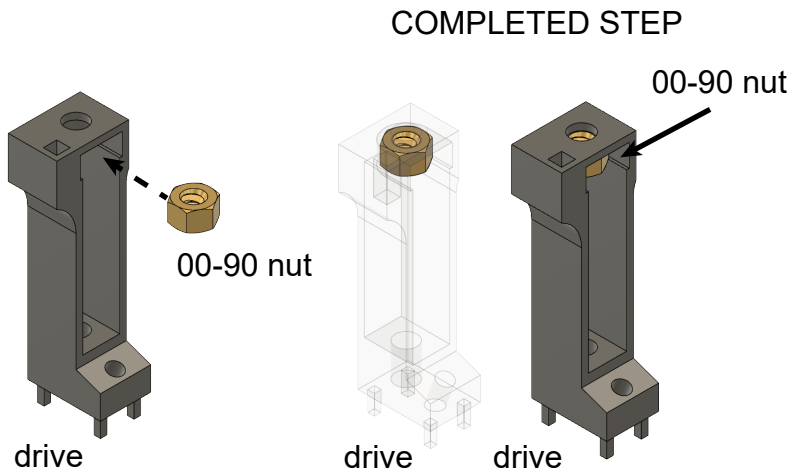


3. Tap the arm.

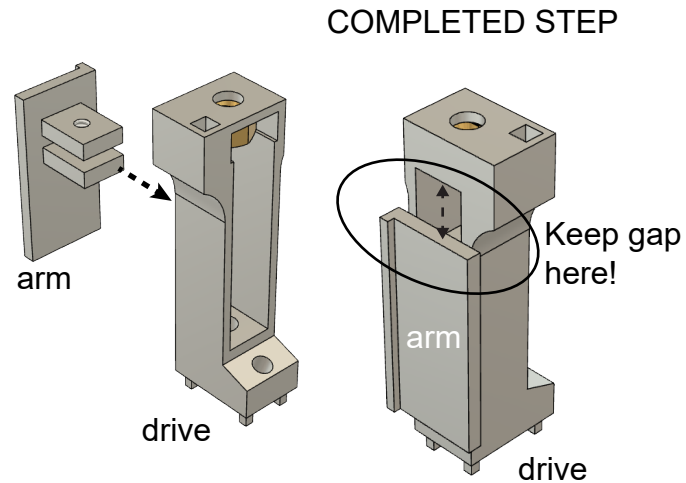


4. Solder 00-90 hex nut to 00-90 screw.

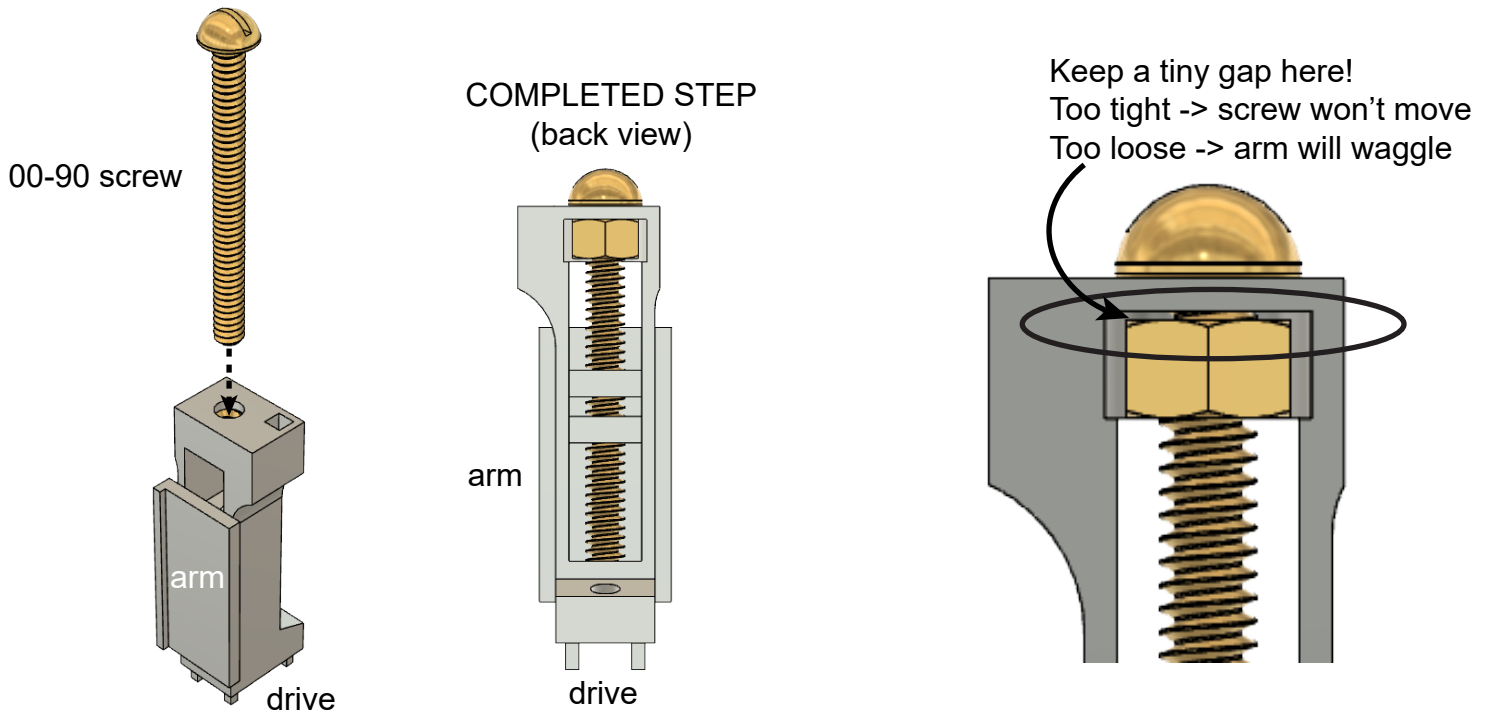
4a - Insert nut into drive.



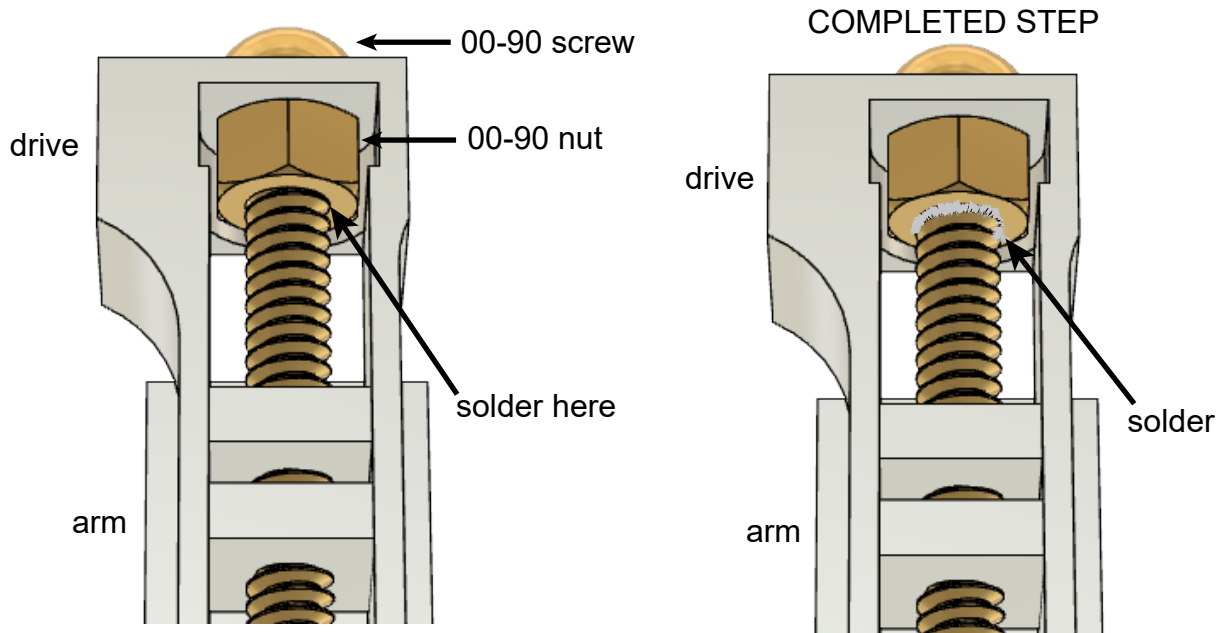
4b - Insert arm into drive.



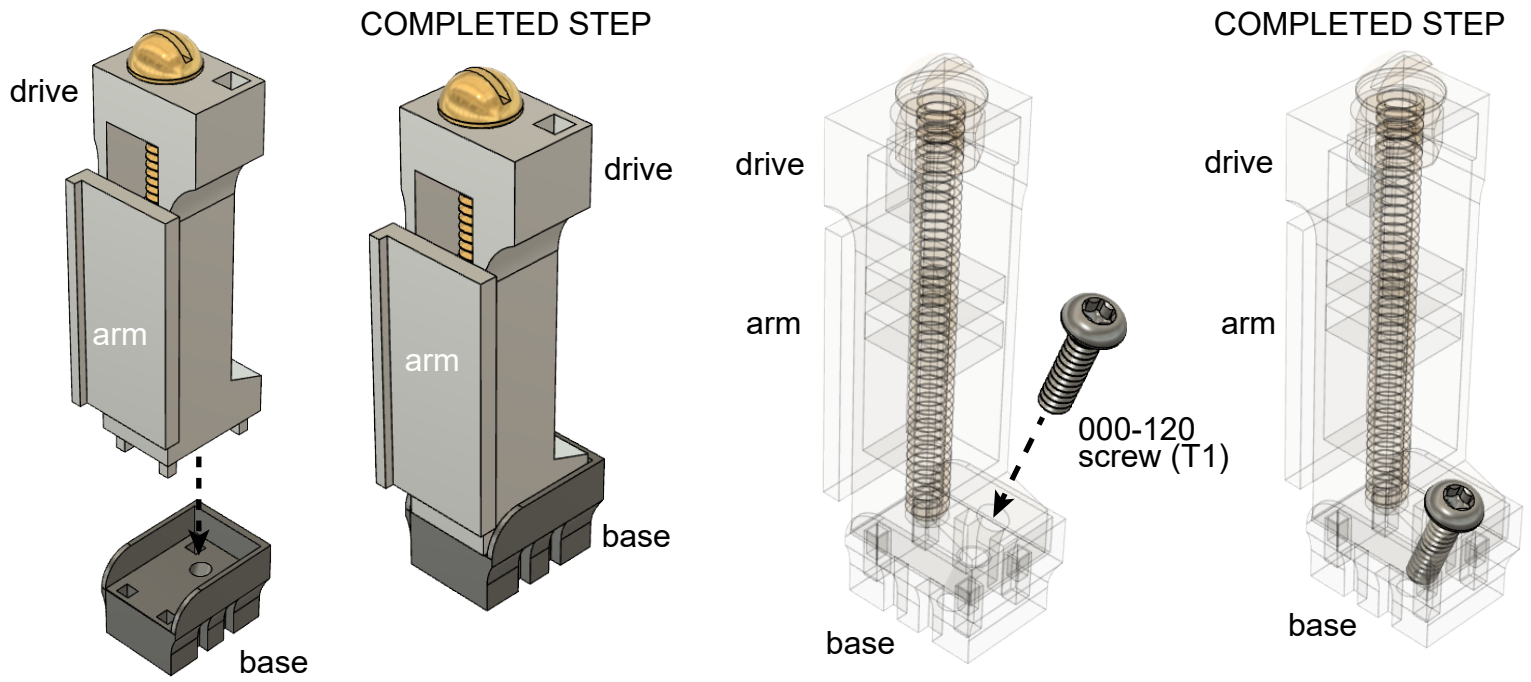
4c - Insert 00-90 screw into drive and tighten nut.



4d - Solder 00-90 nut to 00-90 screw.



6. Attach base to drive.



7. Insert metal bar into drive (if used during surgery). Use dental cement to secure it!

