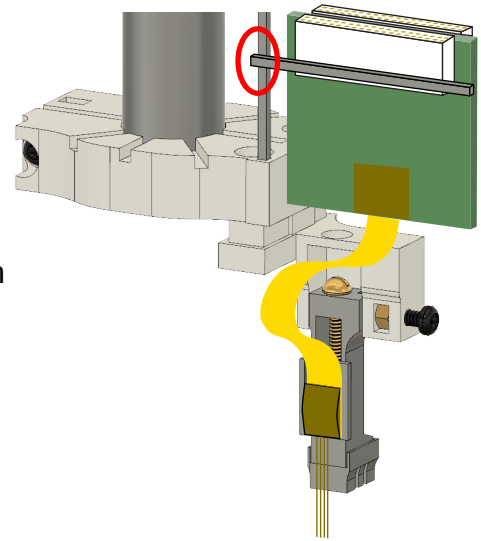


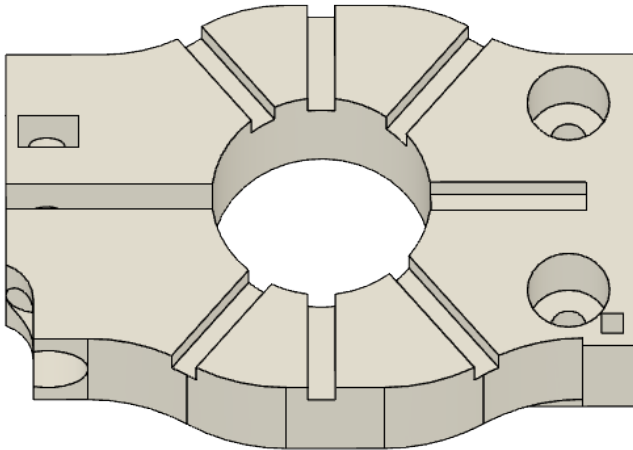
Implantation tool for recoverable metal microdrive

Design name: stereotax_attachment_metal_v9
drive_holder_metal_v9

More information is needed:
- contact me (Misi Voroslakos) directly at voroslakos@gmail.com



stereotax attachment

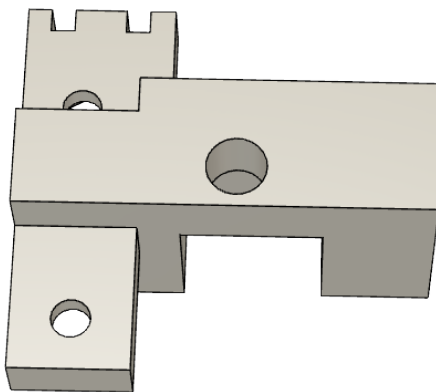


male header pin



00-90 nut
(3x)

drive holder

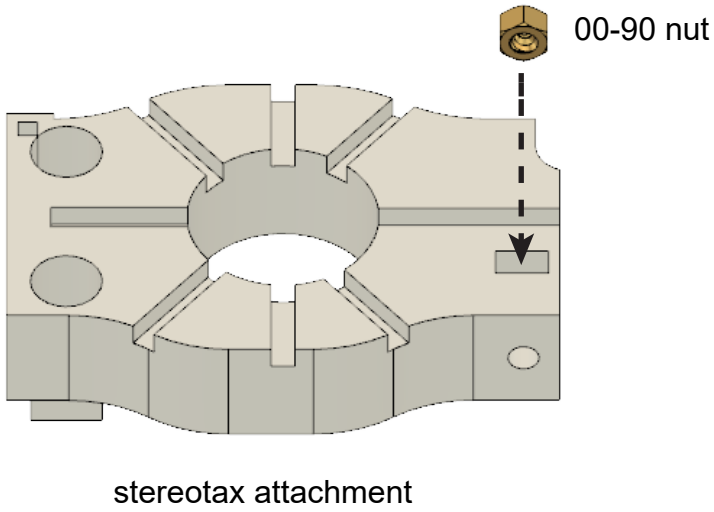


00-90 screw
1/4" (3x)

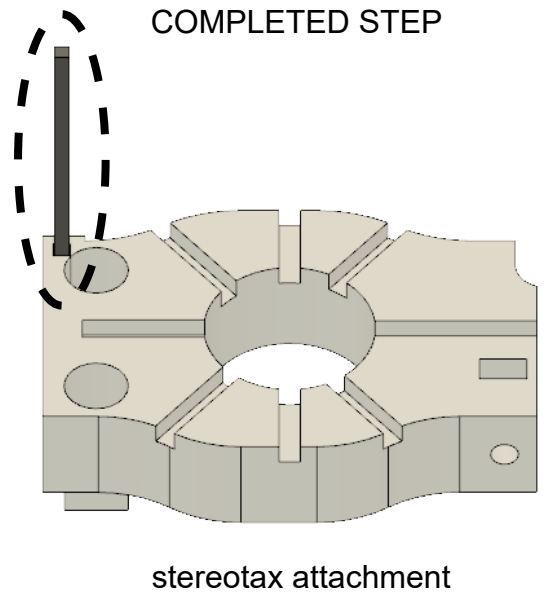
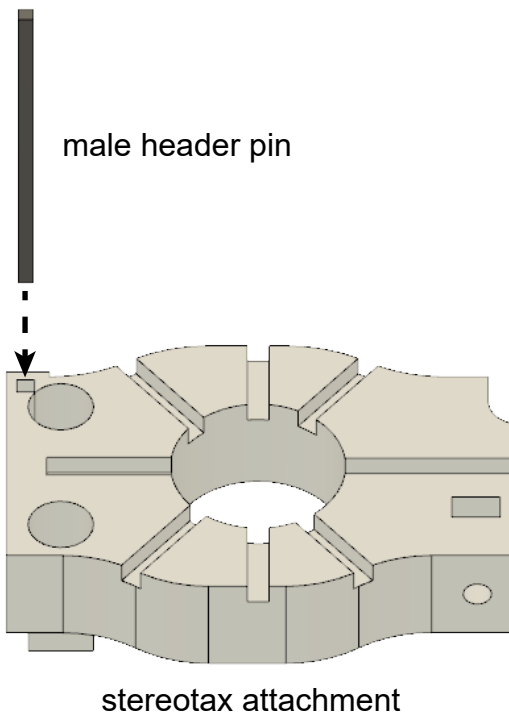


2-56 nylon screw
1/4" (1x)

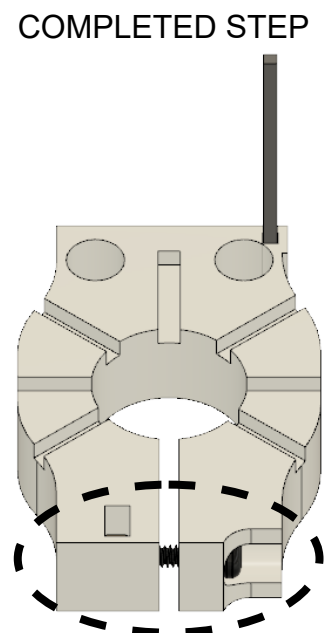
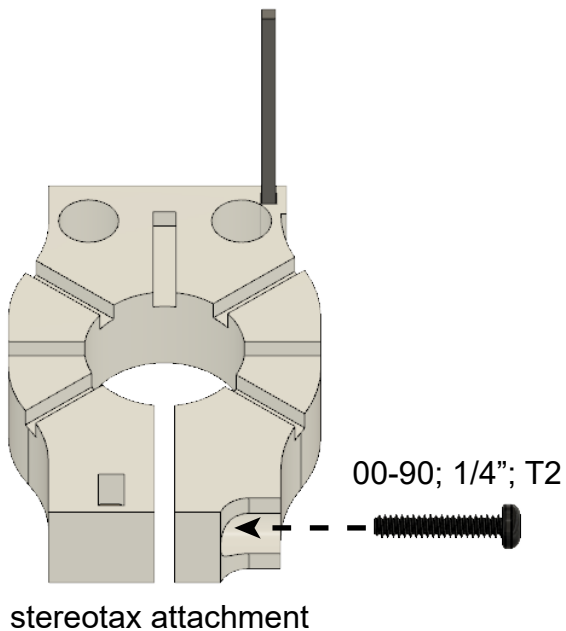
1. Insert 00-90 nut into stereotax attachment.



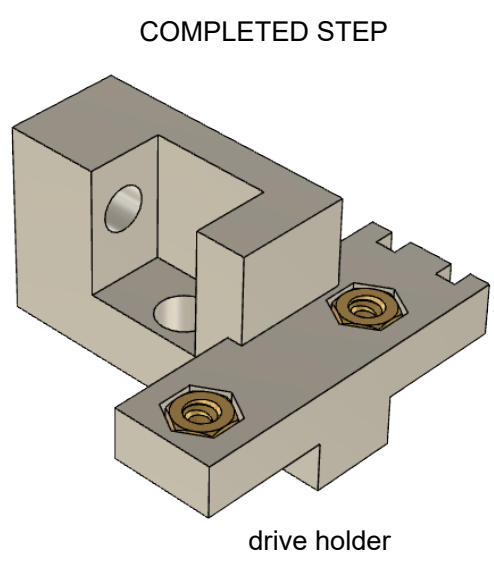
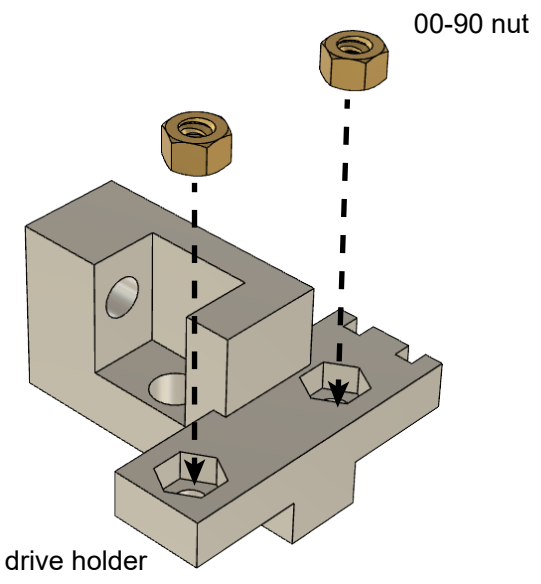
2. Insert male header pin into stereotax attachment.



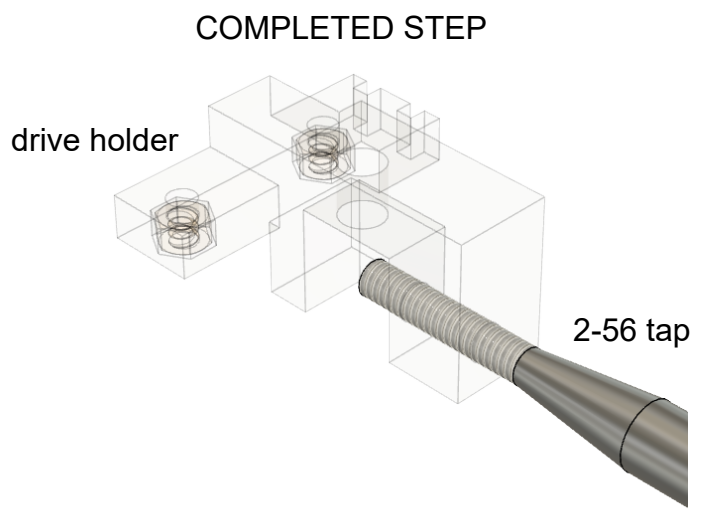
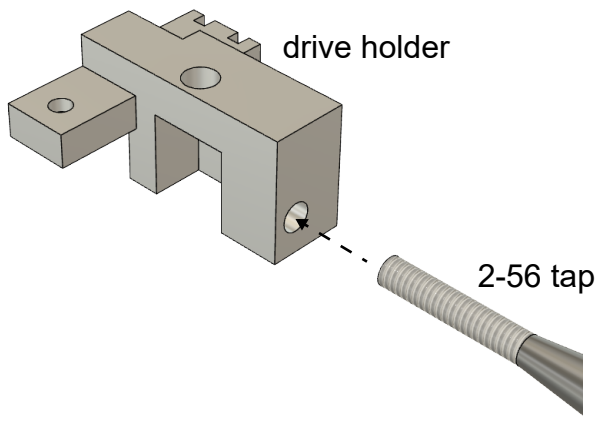
3. Insert 00-90 1/4" T2-screw.



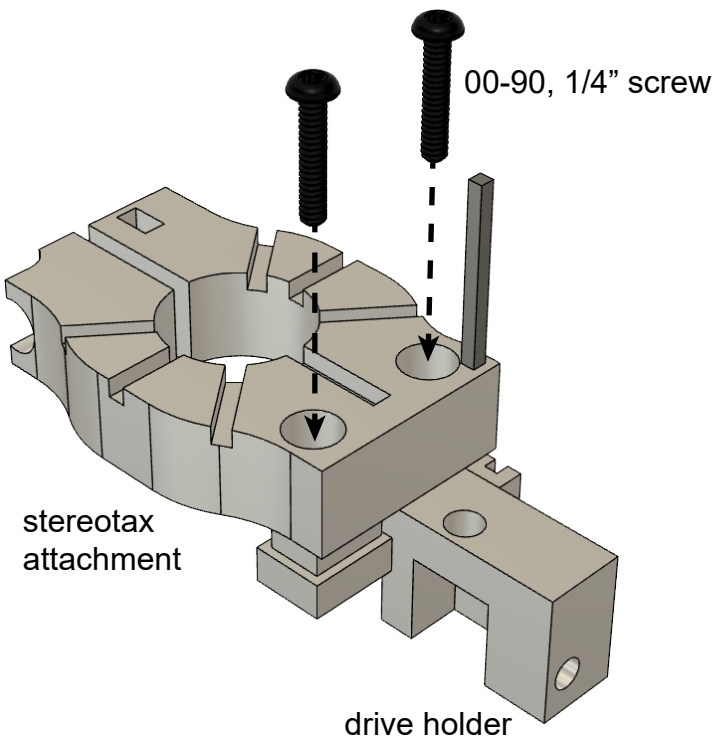
4. Insert and glue 00-90 nuts (3x) into drive holder.



5. Tap (2-56 tap) drive holder.



6. Insert 00-90, 1/4" T2-screws (2x).



7. Insert 2-56, 1/4 inch nylon screw.

